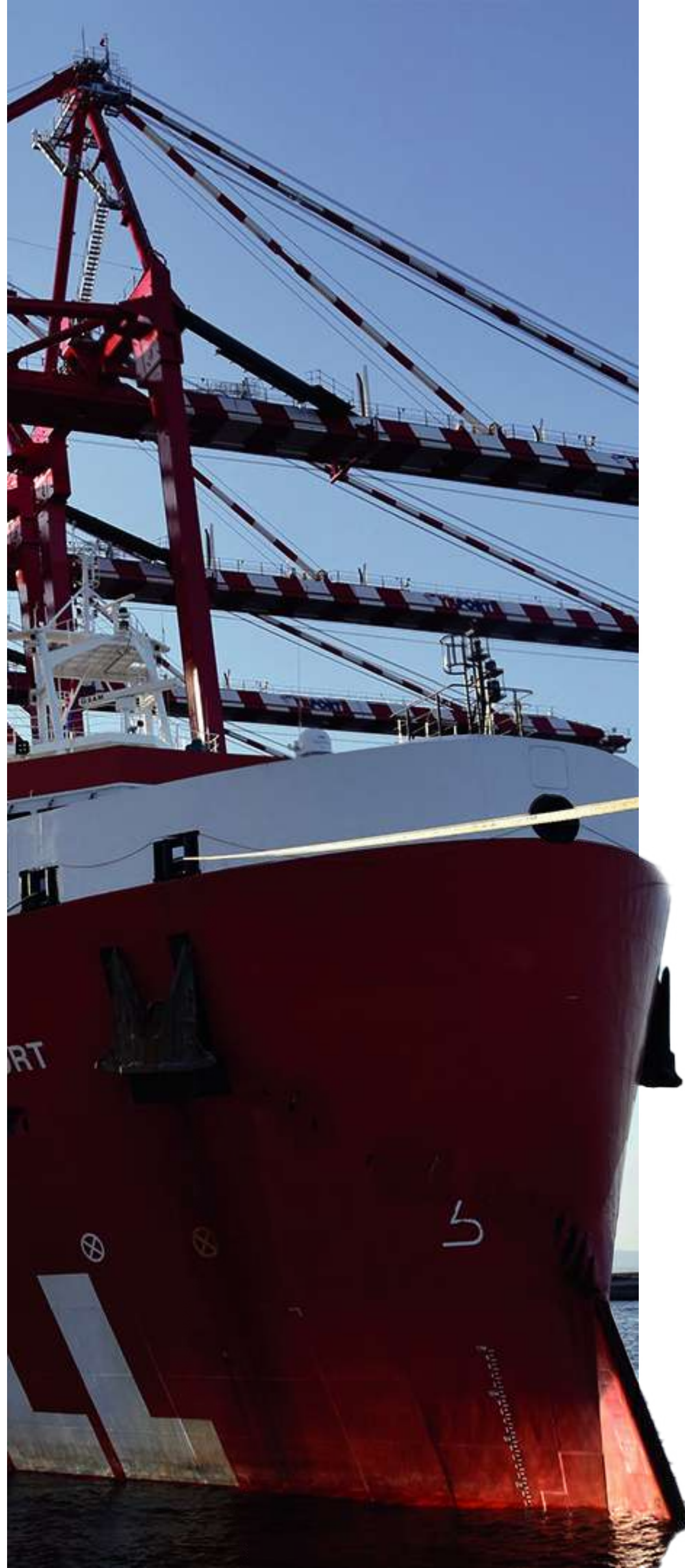




BATI GROUP OF SHIPPING COMPANIES

2023



We have logistics services
in all borders and ports

We are a logistics company
based on shipping,
founded in 1992



Our Headquarters are located
in Istanbul, Türkiye

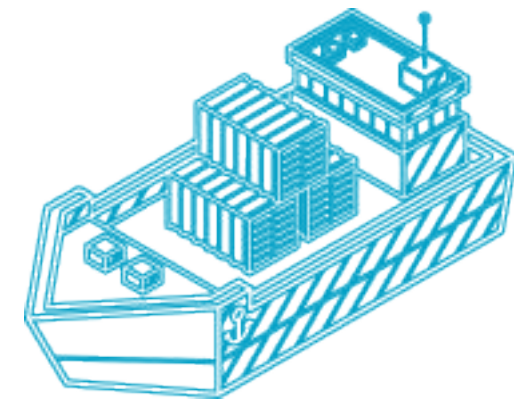
We provide logistics solutions
to our clients through our own offices
in Turkey, Germany, USA and Italy with
200+ employees

Hinterland

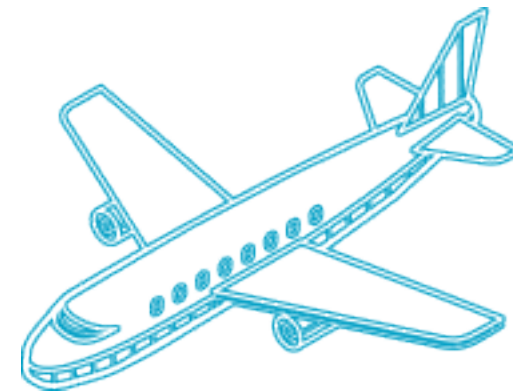
4 COUNTRIES
15 OFFICES
200+ EMPLOYEES



Services

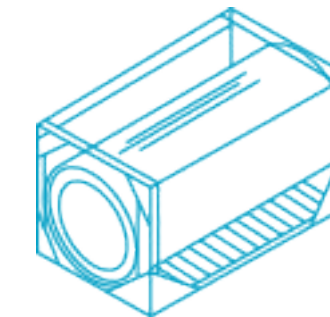


Sea Freight
(FCL/ LCL)

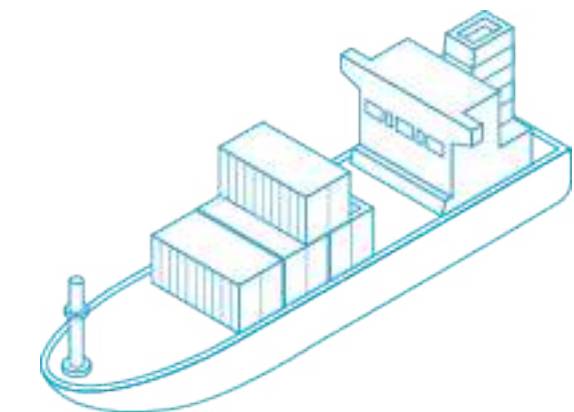


Air Freight and Fast
Delivery Services

BATI **EXPRESS**



Bulk Liquid
Logistics



Project Cargo
Forwarding



Sea Freight

FCL, Special Equipment and LCL Consolidation Services Worldwide



Sea Freight

65000+ TEU

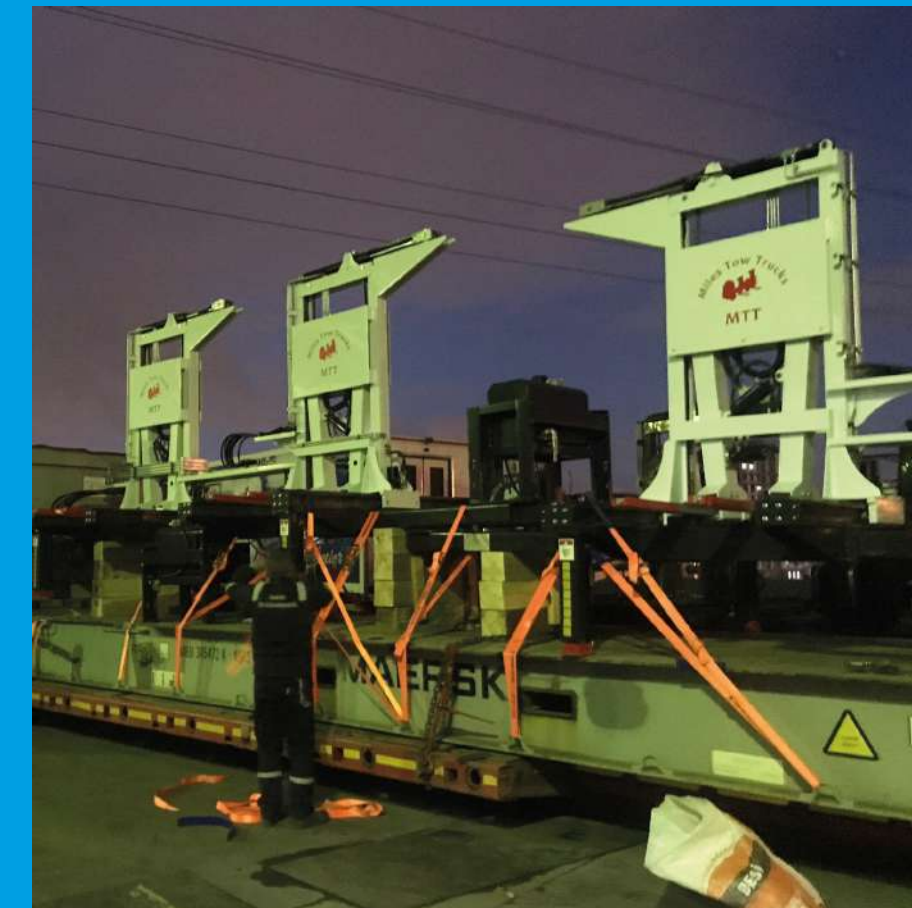
mobilized containers annually

14600+

customers served

1200+

cargo ships attended



Air Freight

BATI EXPRESS
A Company of Bati Group



AOG, Courier Service, Ecommerce, Pharmaceuticals, Live Animal Transportation, Perishable, DG, Charter Flight, Time Critical



20 Million
KG's of Air Cargo
is Transported

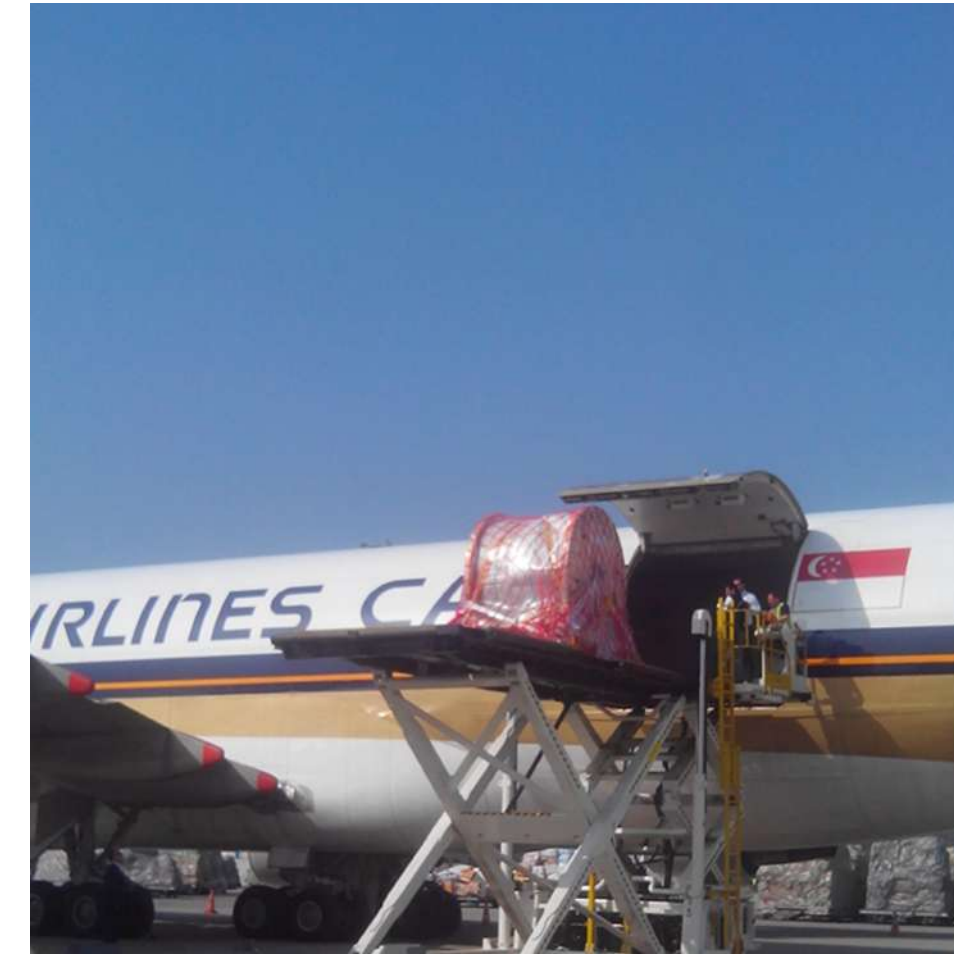


IATA Agents
since 1995



Air Freight and Fast Delivery Services

BATIEXPRESS
A Company of Bati Group



Mobilizing **7000+** Tanks Annually

Controlling **1000+** Tanks Worldwide

First ITCO Agent in Türkiye

No- repositioning rate of **95%**

Certificating (Gas Free, Condition ETC.)

Inspection and Repairs

Empty & Laden Tank Storage

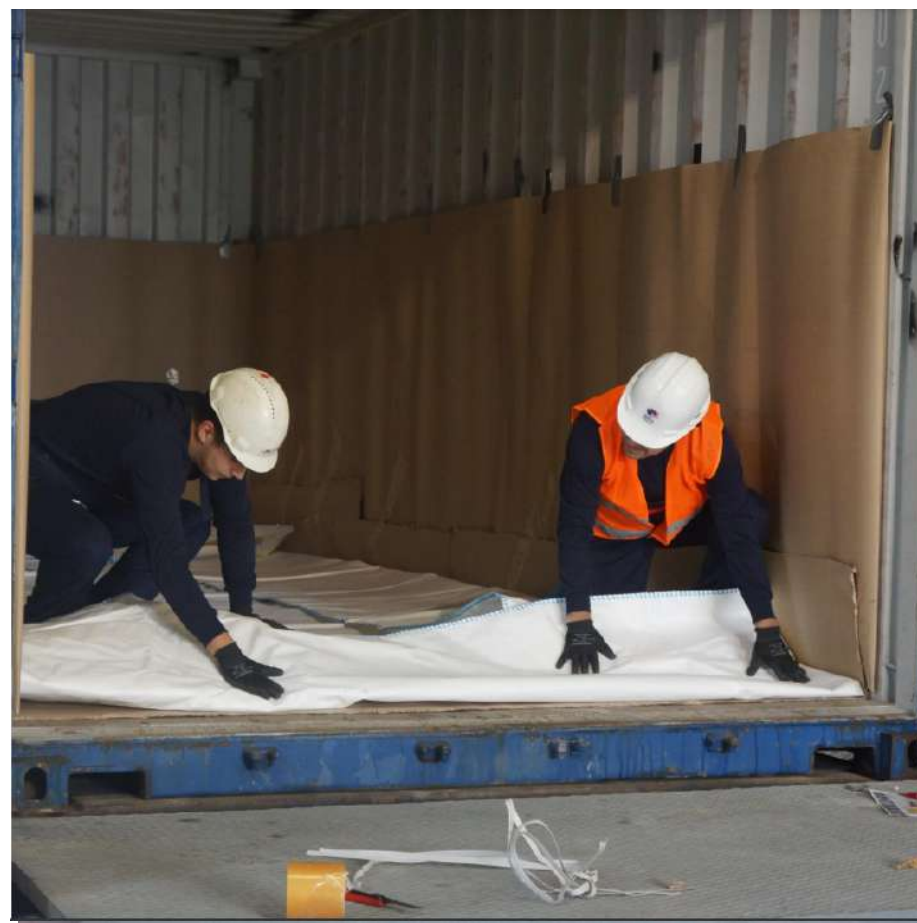
Fleet Service Management Control

Customs Clearance of Foreign Flag Containers

Long Term & Short Term Volume Contract

Transport Solutions with Flexitanks

Bulk Liquid Logistics



- Static Cargoes
- Rolling Cargoes
- Energy Logistics
- Port Agency Services
- Yacht and Boat Transportation

Project Cargo Forwarding



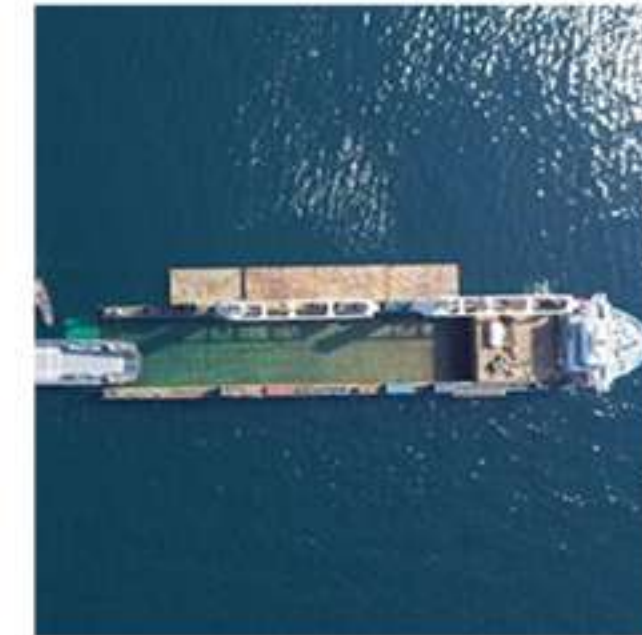
Port Agency Services

R ROLLDOCK

BATI is acting as the exclusive commercial and husbandry agent of ROLLDOCK.

ROLLDOCK owns and operates an innovative fleet of highly adaptable project cargo ships. With ROLLDOCK's semi-submersible multifunctional vessels, we can handle a wide variety of situations and circumstances.

As part of Roll Group, ROLLDOCK benefits from in-house essential knowledge and engineering expertise. With over ten years of experience and specially designed vessels, ROLLDOCK ensures the safe transportation of heavy cargo across the world's oceans.



Yacht and Boat Transportation

BATI is acting as the commercial and husbandry agent of **PETERS & MAY**.

PETERS & MAY provide world-leading global yacht transport, car transport, cargo shipping and marine logistics for brokers,

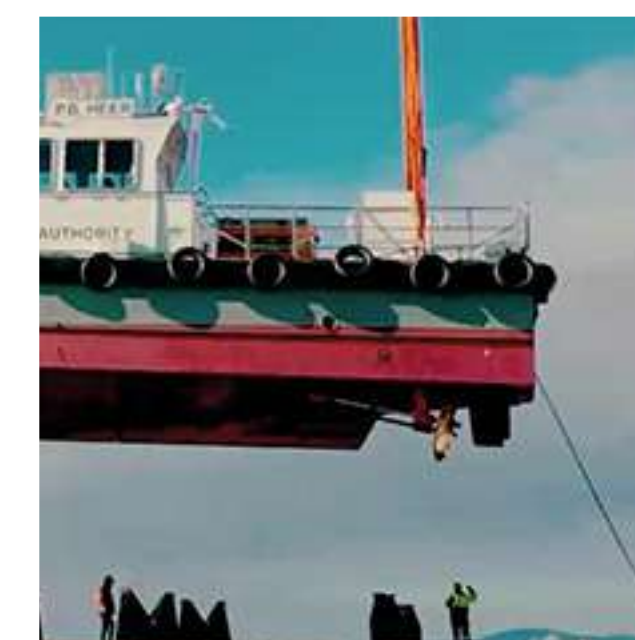
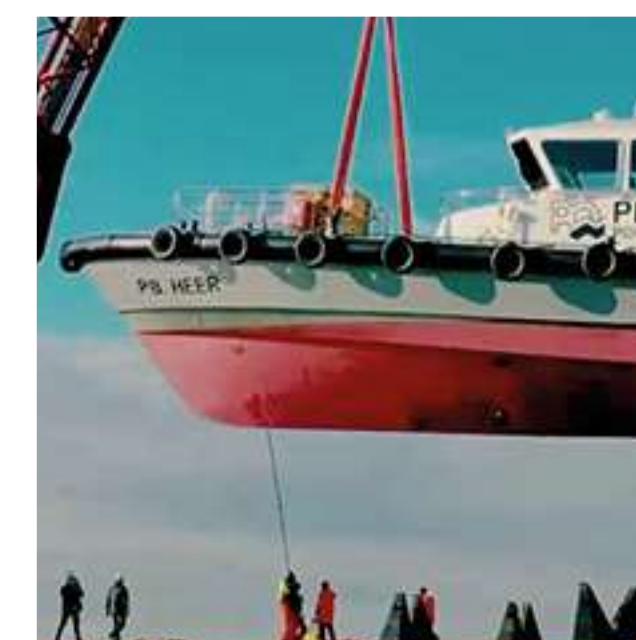
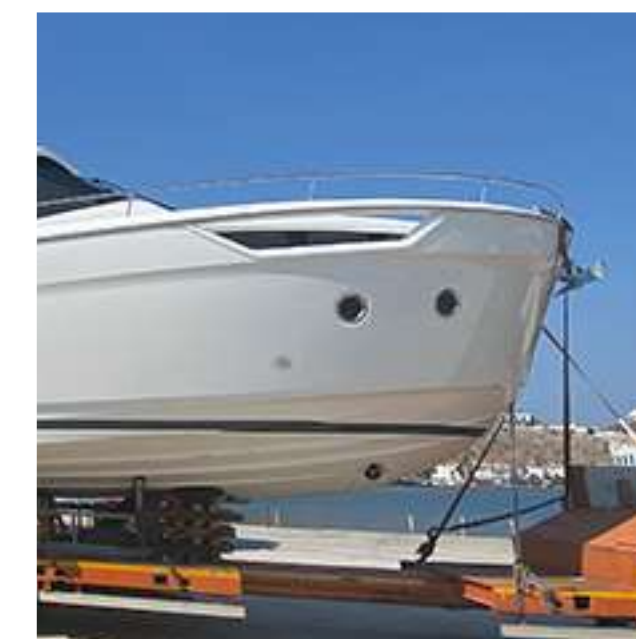
120+ Yachts and Boats transported annually

Industries served;

- Yachts/Boats through brokers and/or shipyards
- Defence Industry / Navy
- Work Boats
- Ferries

Services provided;

- Interational Transportation (Sea and Land)
- Domestic Transportation
- Customs Clearance
- Warehousing
- Cradling
- Skipper



Transit Routes Served



**MARMARA
REGION**

CAUCASUS

**CENTRAL
ASIA**

MERSİN İSKENDERUN

**NORTH
IRAQ**





What is myBATI ?

Customer Relationship Management System

Designed for Logistics and Transportation

Real-Time Container Tracking with GPS location

Account Statements

Cargo Statistics

Invoices

And more...

The screenshot displays the myBATI web application interface for a shipment tracking page. The page is titled "Shipment : TRAMR-DEHAM-0698" and features a navigation menu with "Summary", "Documents", and "Related Invoices". The main content area is divided into several sections:

- Overview:** Displays key shipment details such as Position Number (21/06/700/90000618), Container (1X40 HC), Shipper (ZARA OLUKLU MUKAVVA), Hbl No (TRAMR-DEHAM-0698), Total Weight (5.200,00 KGS), and Consignee (EAC EUROPEAN ADVERTISING CORPORATION GMBH).
- Track & Trace:** A map showing the shipment's route from Istanbul to Berlin, with a blue line indicating the path through various European countries.
- Cargo Plan:** A timeline showing the shipment's progress through four stages: ISTANBUL (19.06.2021), ISTANBUL (24.06.2021), HAMBURG (10.07.2021), and BERLIN (15.07.2021).
- Cargo Detail:** A table providing specific information about the cargo, including Container No (UACU5648797), Container Type (40' HIGH CUBE), Commodity (PACKING MAT. CARTON), Gross Weight (5.200,00 KGS), Order No, and Final Delivery Place.



www.batigroup.com.tr



www.batilogistics.it



www.batilogistics.de



www.batiyachtlogistics.com



2023

